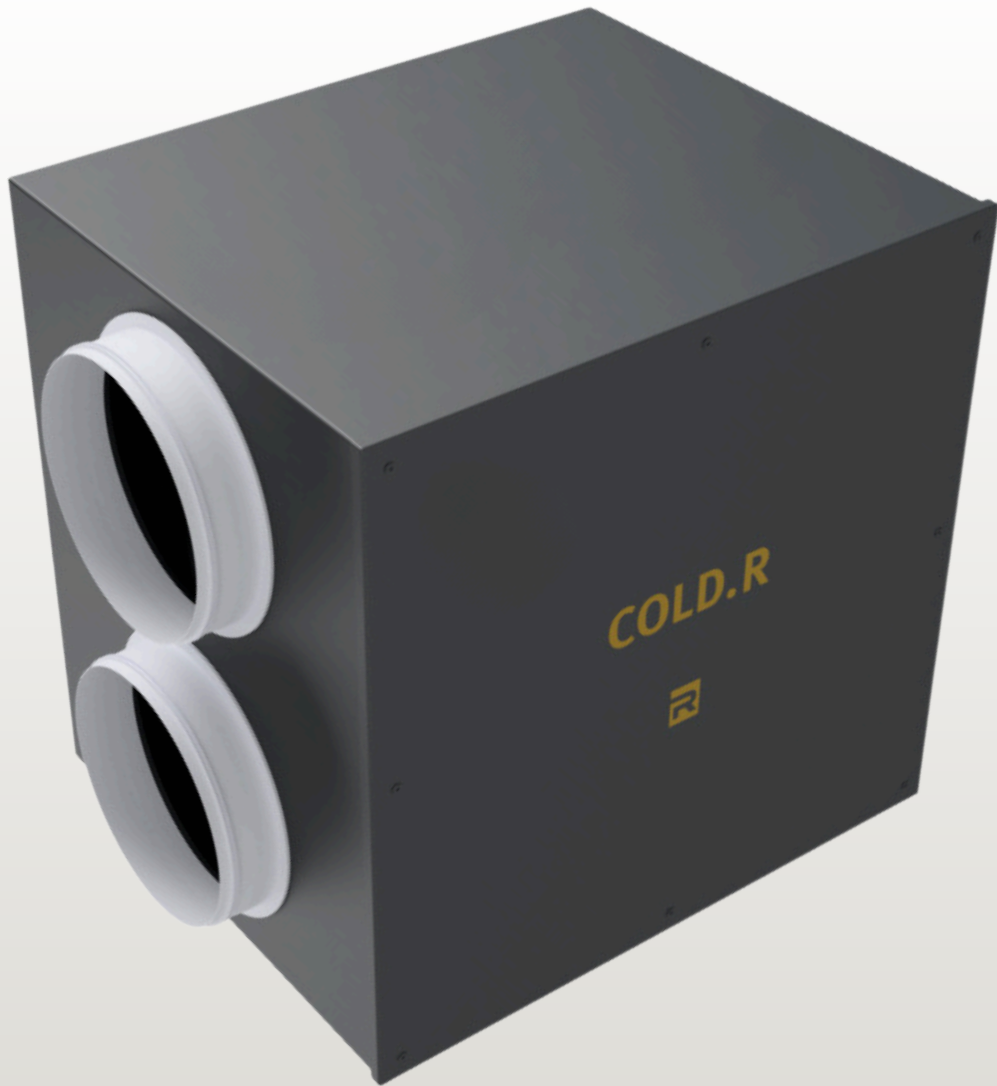


# COLD.R



**COMBINES WITH COLD.X OR COLD.W**

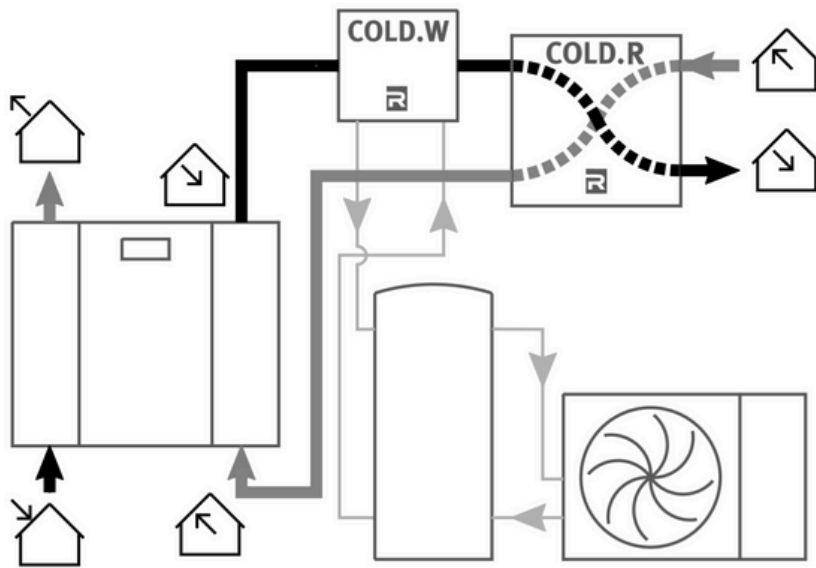
**NO NEED FOR INSULATED DUCT SYSTEM**

COLD.R is air heat recovery exchanger used in case of existing MVHR installation, where supply distribution system cannot be insulated. COLD.R raises the leaving air temperature from COLD.W or COLD.X unit to around 18°C. This is normally above the dew point of air inside the building and with that condensation forming on the outside of the ducts and elements of distribution system is prevented.

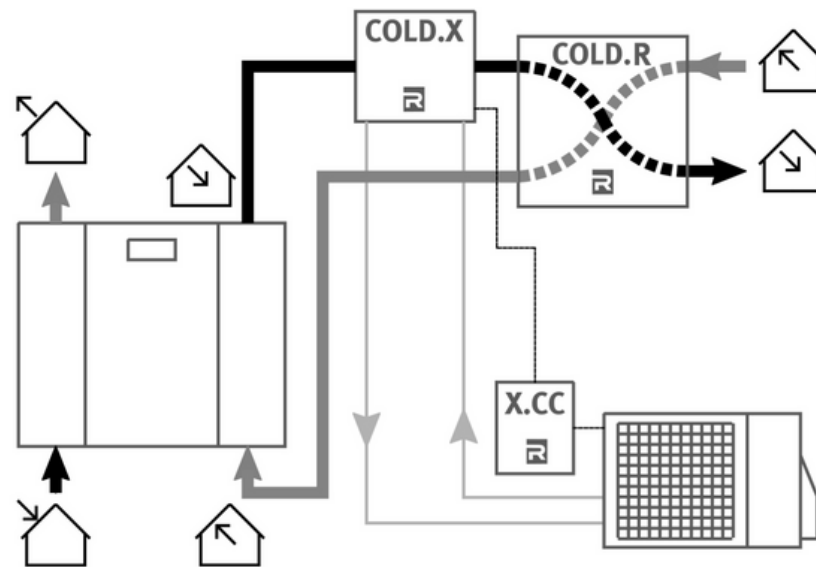
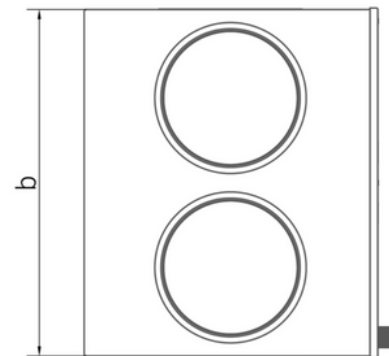
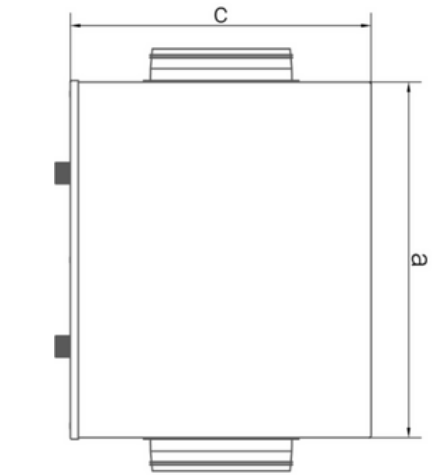
**COLD.**

Powerful cooling for your MVHR system.

Version	COLD.R 4	COLD.R 6
Dimensions (a x b x c)	480x480x380mm	615x615x380mm
Weight	16kg	20kg
Air connections (diameter)	180mm	200mm
Condensate connection	DN32	DN32
Max. airflow	400m <sup>3</sup> /h	600m <sup>3</sup> /h



Principal schematics of COLD.W and COLD.R implementation.



Principal schematics of COLD.X and COLD.R implementation.

- From outside
- To inside
- From inside
- To outside

SALE / INSTALLATION / SERVICE